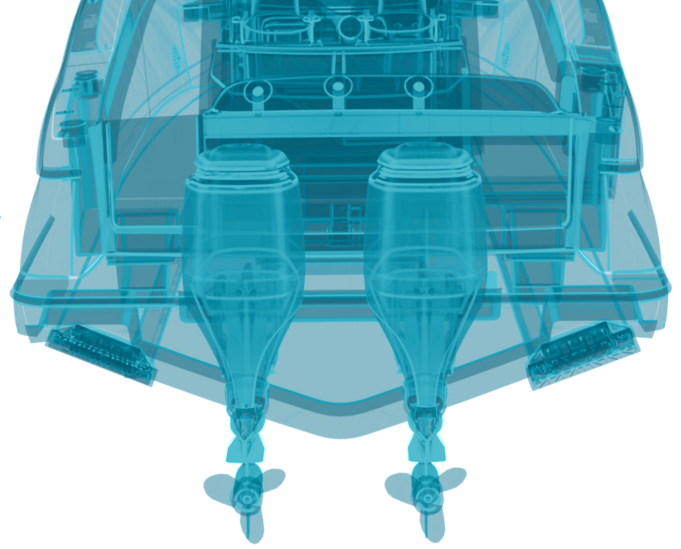


# SEAKEEPER RIDE SEA TRIAL REPORT



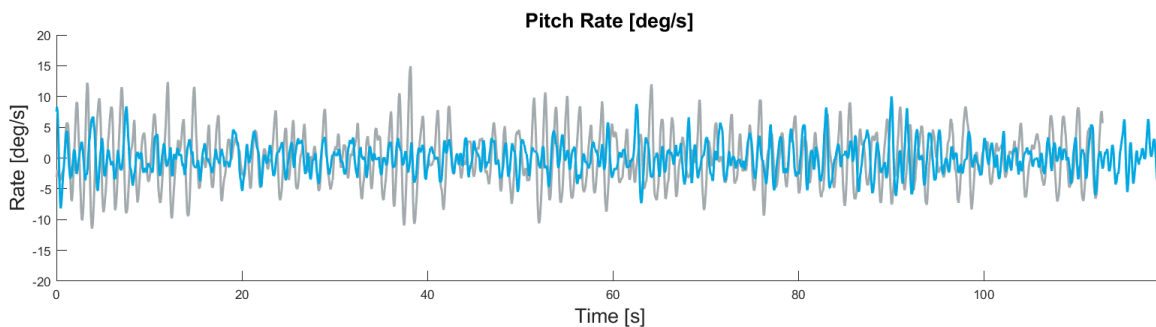
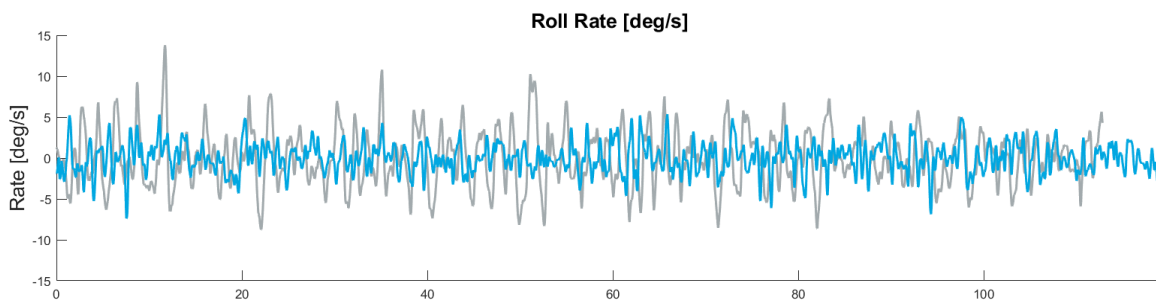
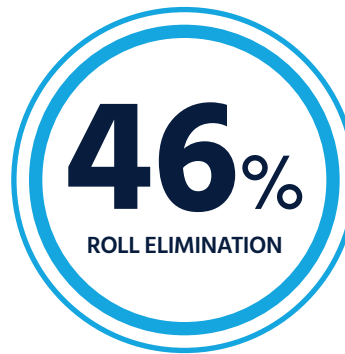
## Vessel Characteristics

Boat Make	Bluewater Boats
Boat Model	2850
Boat Year	2018
System	Ride 525
Length Overall	31'
Beam Overall	9' 5"
Engine Configuration	2 x Suzuki 300hp
Displacement	4,260 lbs

## Test Conditions

Date	July 27, 2022
Location	Long Beach Island, NJ
Speed	25 mph
Seas	Beam
Sea Conditions	3-4 ft. at 3 seconds

## Performance Results



Performance results are measured with the system on and off as a reduction of standard deviation in pitch and roll rates at all frequencies at a constant heading and speed.

