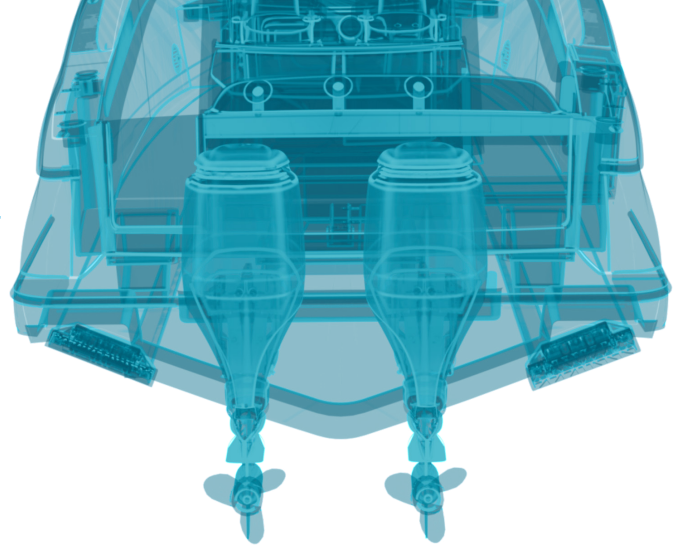


# SEAKEEPER RIDE SEA TRIAL REPORT



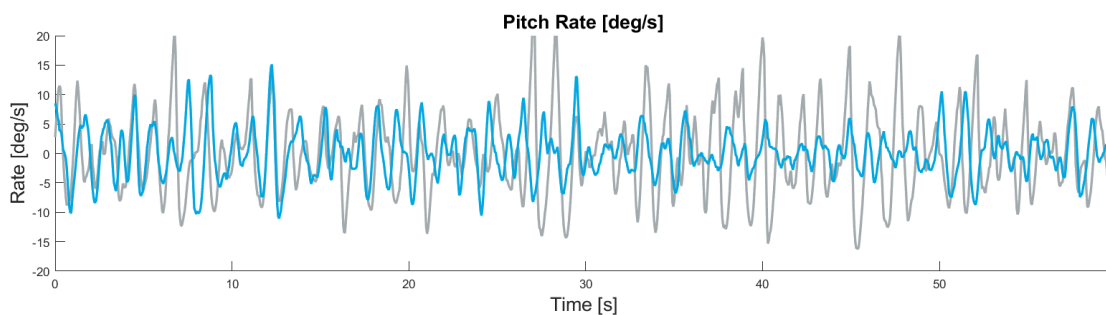
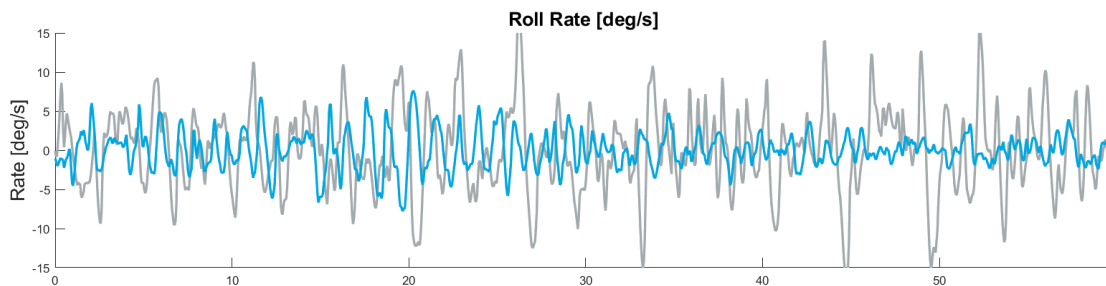
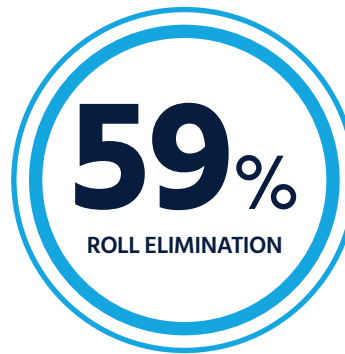
## Vessel Characteristics

Boat Make	Scout Boats
Boat Model	195 Sportfish
Boat Year	2022
System	Ride 450
Length Overall	19' 5"
Beam Overall	8' 6"
Engine Configuration	1x Yamaha 150hp
Displacement	2,150 lbs

## Test Conditions

Date	July 7, 2022
Location	Fort Myers, FL
Speed	25 mph
Seas	Stern quartering
Sea Conditions	1-2 ft. at 2 seconds

## Performance Results



Performance results are measured with the system on and off as a reduction of standard deviation in pitch and roll rates at all frequencies at a constant heading and speed.

