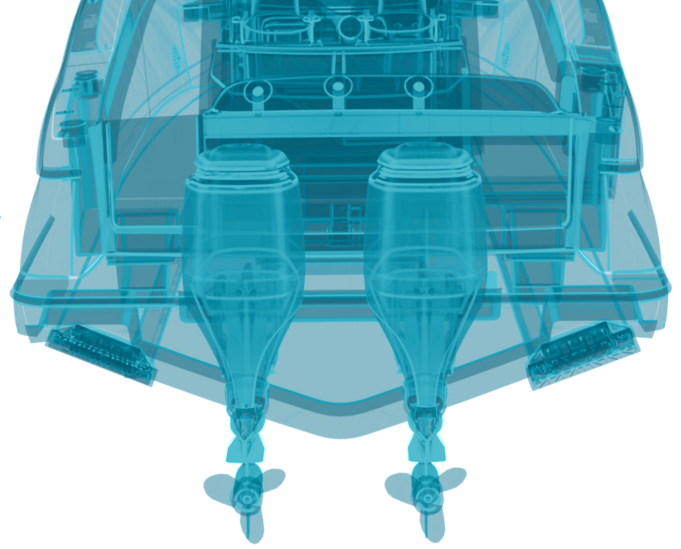


# SEAKEEPER RIDE SEA TRIAL REPORT



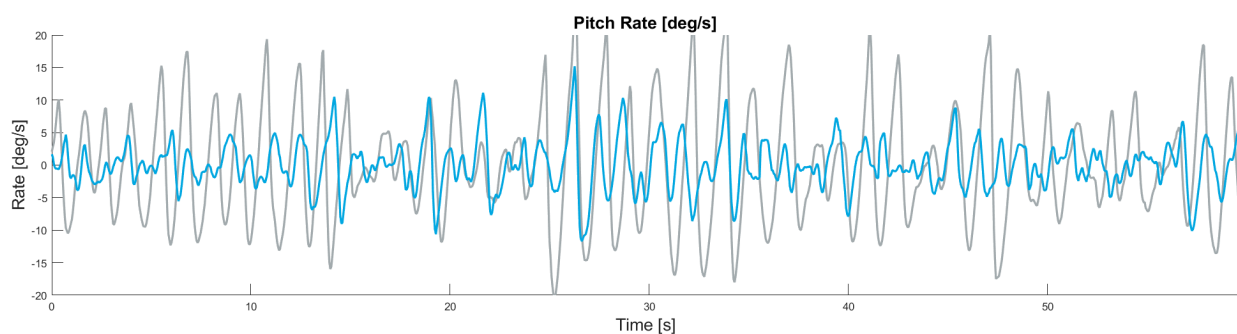
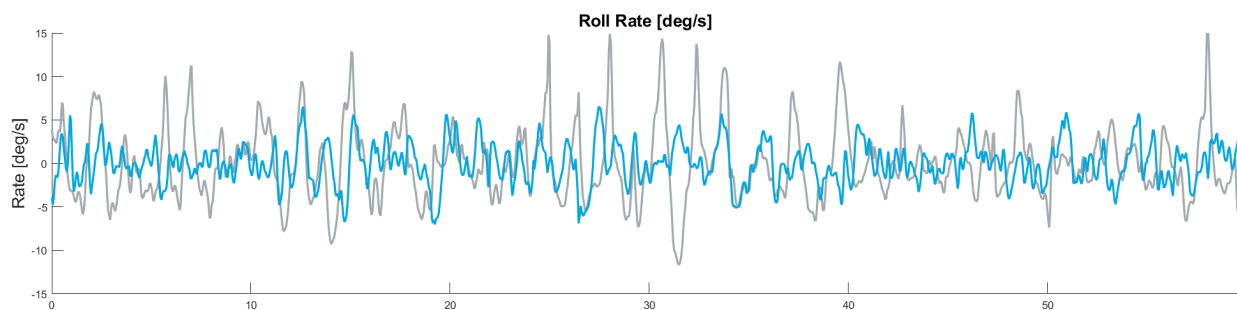
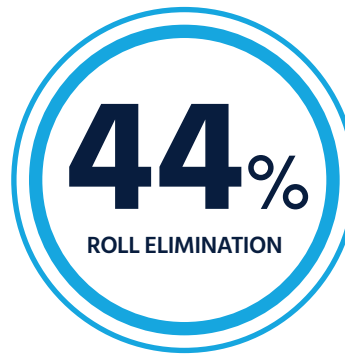
## Vessel Characteristics

<b>Boat Make</b>	Scout Boats
<b>Boat Model</b>	240 XSF
<b>Boat Year</b>	2022
<b>System</b>	Ride 450
<b>Length Overall</b>	23' 8"
<b>Beam Overall</b>	8' 6"
<b>Engine Configuration</b>	1x Mercury Verado 300hp
<b>Displacement</b>	3,655 lbs

## Test Conditions

<b>Date</b>	July 15, 2022
<b>Location</b>	Charleston, SC
<b>Speed</b>	30 mph
<b>Seas</b>	Bow quartering
<b>Sea Conditions</b>	2-4 ft. at 4 seconds

## Performance Results



Performance results are measured with the system on and off as a reduction of standard deviation in pitch and roll rates at all frequencies at a constant heading and speed.

