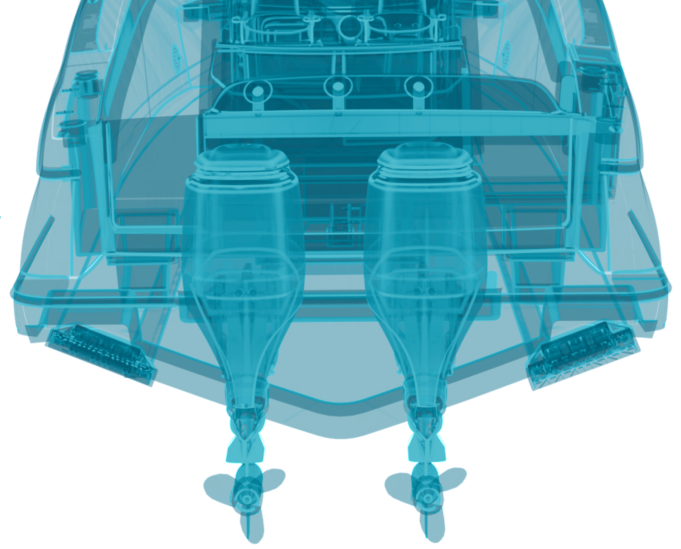


# SEAKEEPER RIDE SEA TRIAL REPORT



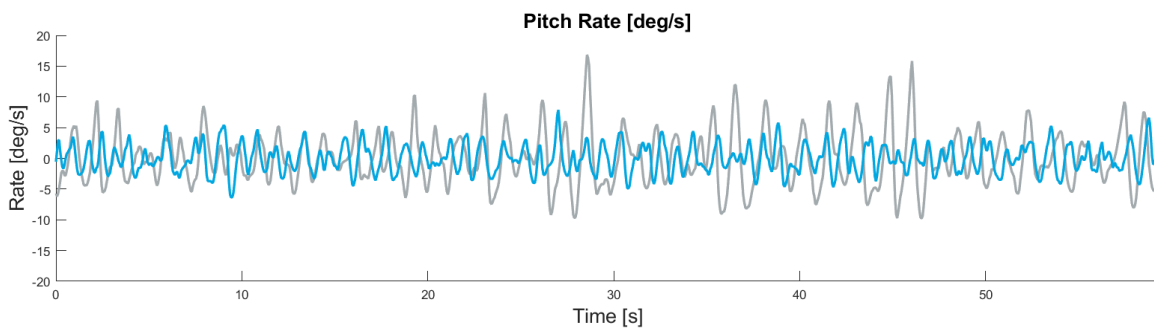
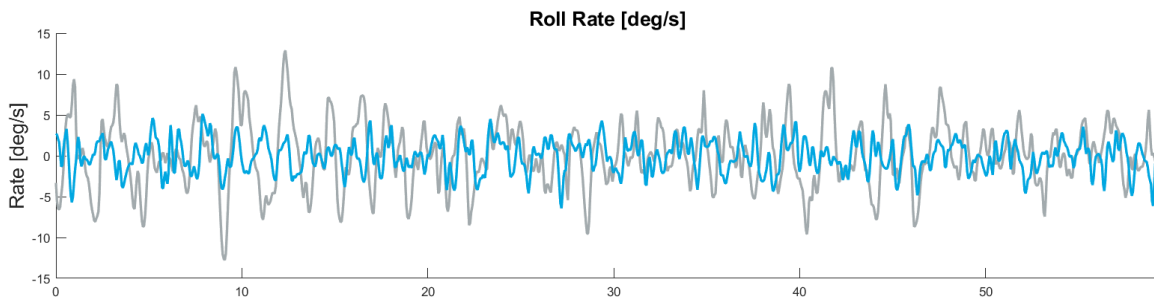
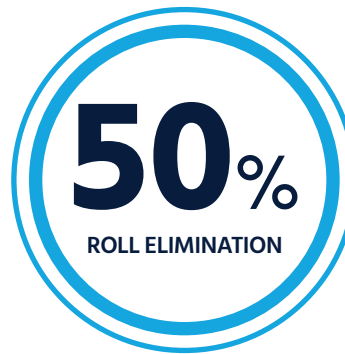
## Vessel Characteristics

Boat Make	Sportsman
Boat Model	232 Open
Boat Year	2022
System	Ride 450
Length Overall	22' 9"
Beam Overall	8' 6"
Engine Configuration	1x Yamaha 250hp
Displacement	2,750 lbs

## Test Conditions

Date	April 20, 2022
Location	Charleston, SC
Speed	27 mph
Seas	Beam
Sea Conditions	1-2 ft. at 3 seconds

## Performance Results



Performance results are measured with the system on and off as a reduction of standard deviation in pitch and roll rates at all frequencies at a constant heading and speed.

