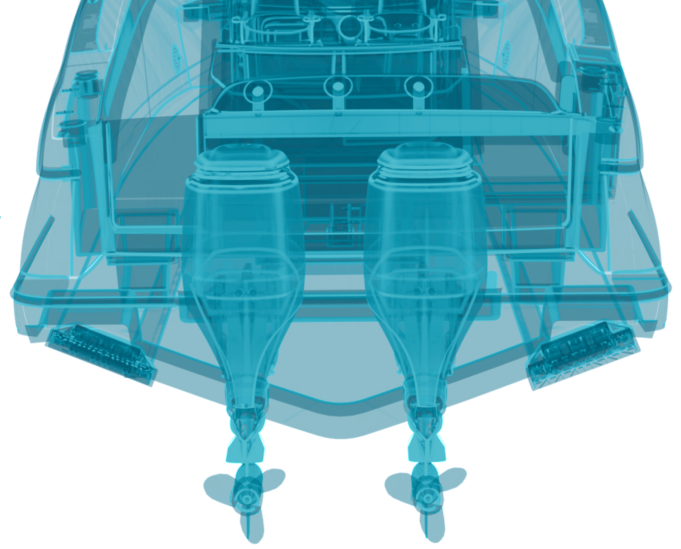


# SEAKEEPER RIDE SEA TRIAL REPORT



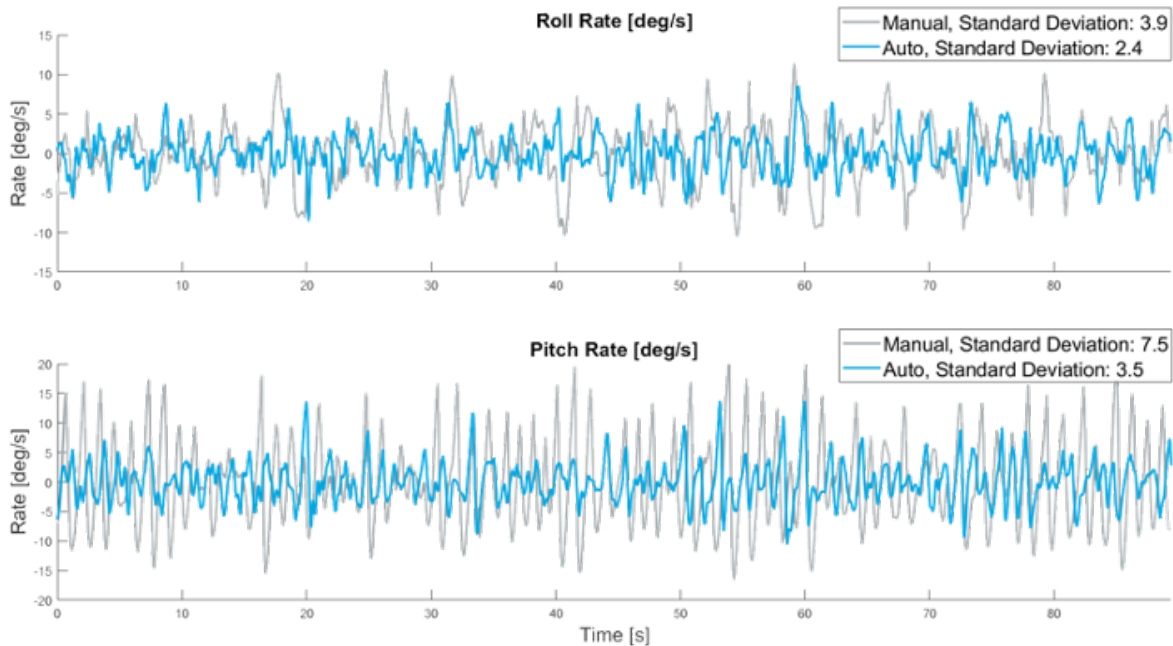
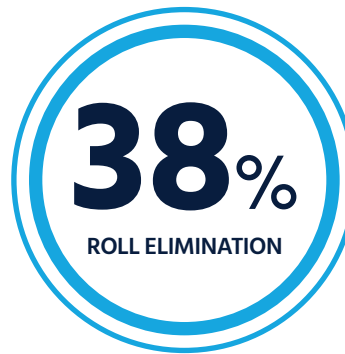
## Vessel Characteristics

Boat Make	Sportsman
Boat Model	322 Open
Boat Year	2022
System	Ride 600
Length Overall	32' 2"
Beam Overall	10' 10"
Engine Configuration	2x Yamaha 425hp
Displacement	9,185 lbs

## Test Conditions

Date	July 5, 2022
Location	Long Beach Island, NJ
Speed	37 mph
Seas	Stern quartering
Sea Conditions	3 ft. at 5 seconds

## Performance Results



Performance results are measured with the system on and off as a reduction of standard deviation in pitch and roll rates at all frequencies at a constant heading and speed.