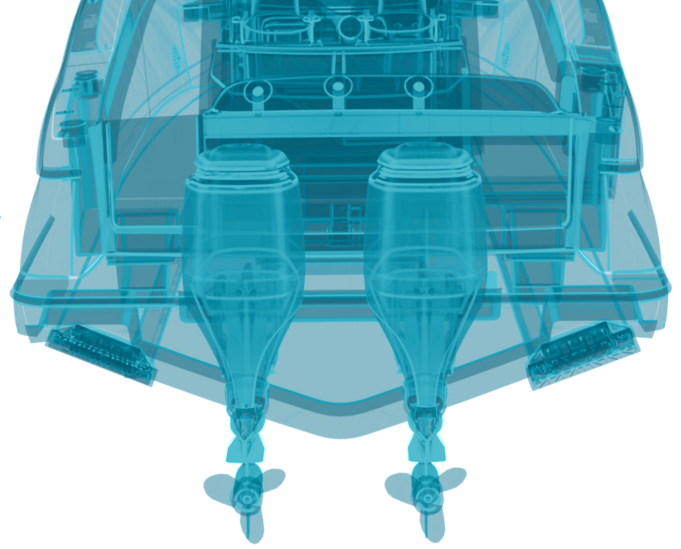


# SEAKEEPER RIDE SEA TRIAL REPORT



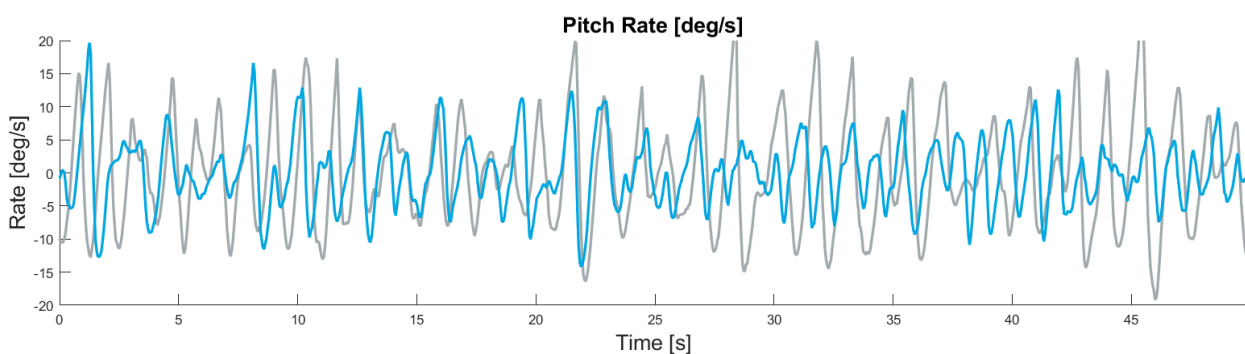
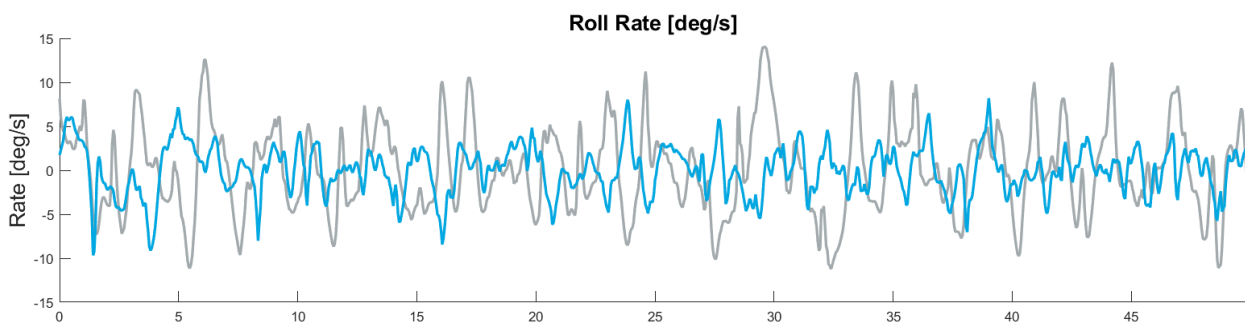
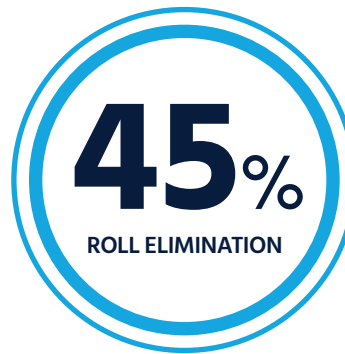
## Vessel Characteristics

<b>Boat Make</b>	Scout Boats
<b>Boat Model</b>	305 LXF
<b>Boat Year</b>	2023
<b>System</b>	Ride 525
<b>Length Overall</b>	30' 4"
<b>Beam Overall</b>	9' 10"
<b>Engine Configuration</b>	2x Mercury Verado 300hp
<b>Displacement</b>	6,870 lbs

## Test Conditions

<b>Date</b>	October 12, 2022
<b>Location</b>	Charleston, SC
<b>Speed</b>	33 mph
<b>Seas</b>	Following
<b>Sea Conditions</b>	3-4 ft. at 6 seconds

## Performance Results



Performance results are measured with the system on and off as a reduction of standard deviation in pitch and roll rates at all frequencies at a constant heading and speed.

