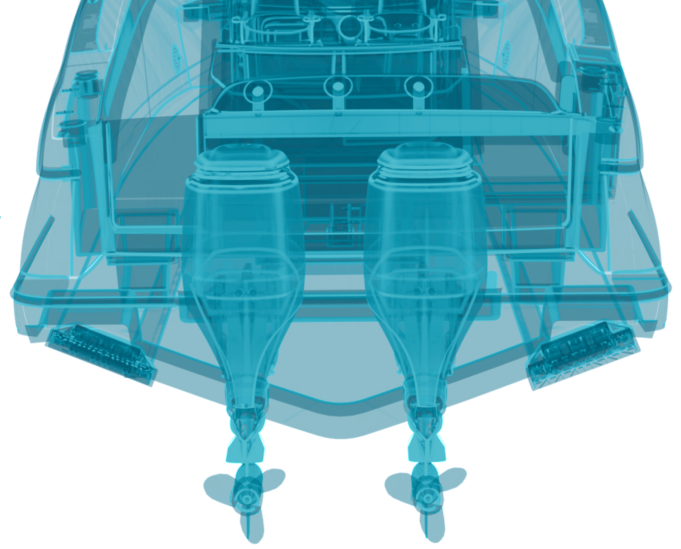


SEAKEEPER RIDE SEA TRIAL REPORT



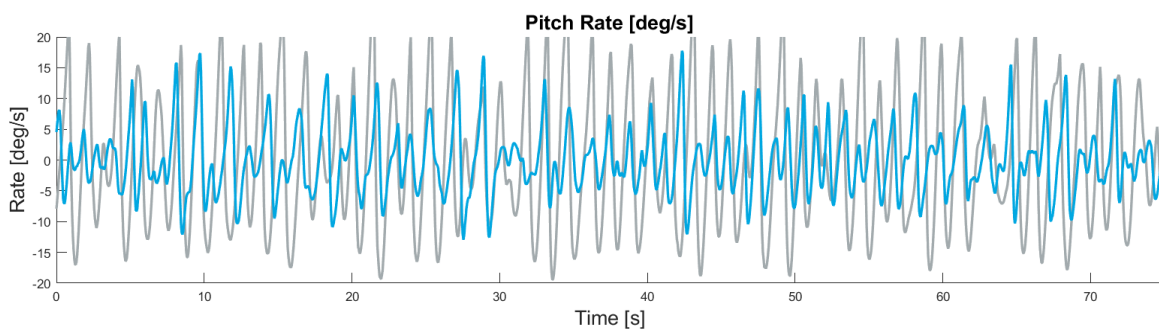
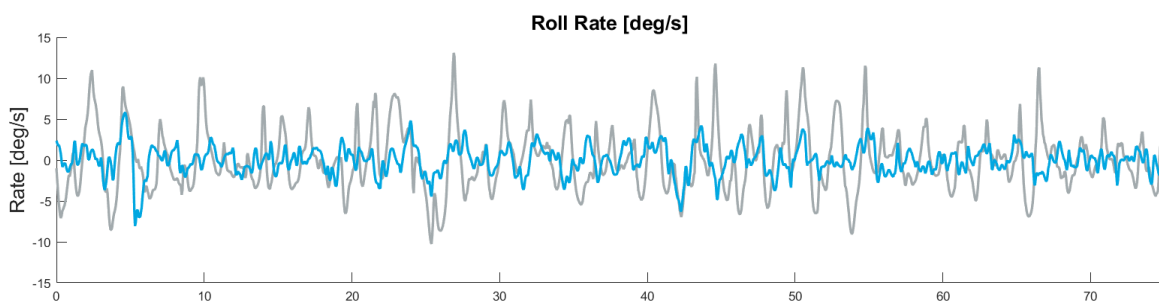
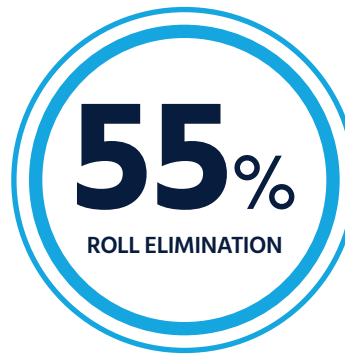
Vessel Characteristics

Boat Make	Latitude Tournament Boats
Boat Model	LTB 25
Boat Year	2020
System	Ride 525
Length Overall	27' 3"
Beam Overall	8' 2"
Engine Configuration	1 x Yamaha 300hp
Displacement	3,700 lbs

Test Conditions

Date	March 2, 2023
Location	Tampa, FL
Speed	27 mph
Seas	Following
Sea Conditions	2-4 ft. at 4 seconds

Performance Results



Performance results are measured with the system on and off as a reduction of standard deviation in pitch and roll rates at all frequencies at a constant heading and speed.

