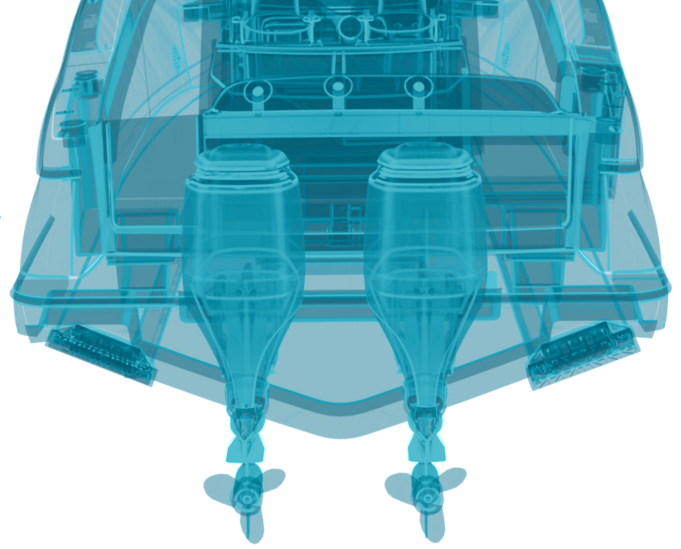


SEAKEEPER RIDE SEA TRIAL REPORT

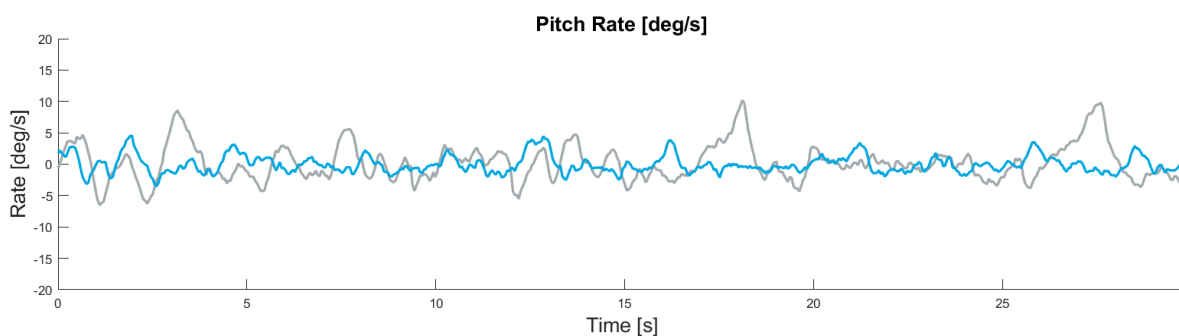
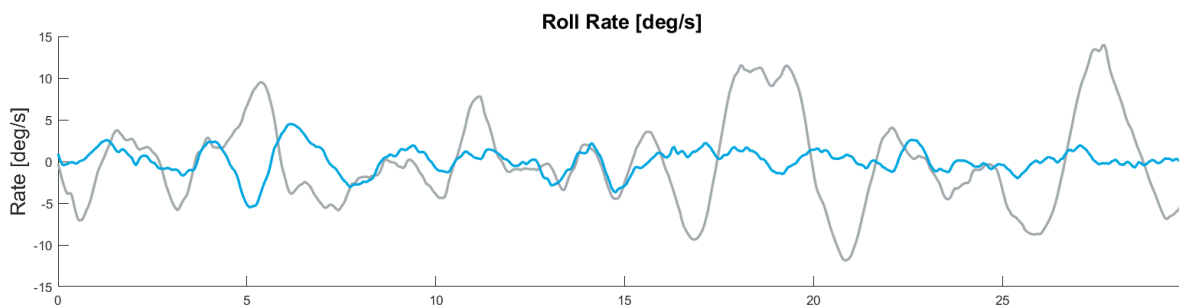
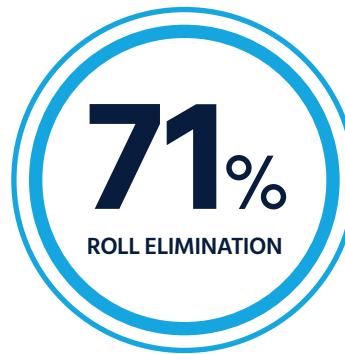


Vessel Characteristics

Boat Make	Rosborough Boats
Boat Model	RF-246
Boat Year	2003
System	Ride 525
Length Overall	25'
Beam Overall	8' 6"
Engine Configuration	2x Yamaha 115hp
Displacement	6,800 lbs

Test Conditions

Date	March 14, 2023
Location	Tarpon Springs, FL
Speed	21 mph
Seas	Stern Quartering
Sea Conditions	2-4 ft. at 4 seconds



Performance results are measured with the system on and off as a reduction of standard deviation in pitch and roll rates at all frequencies at a constant heading and speed.

