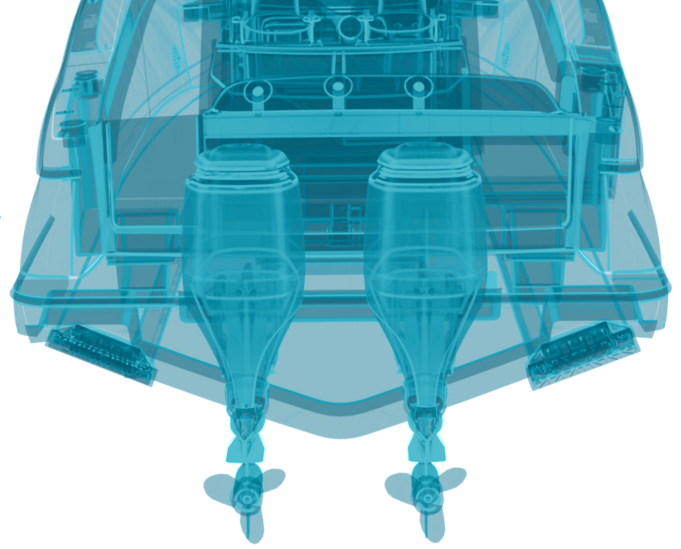


# SEAKEEPER RIDE SEA TRIAL REPORT

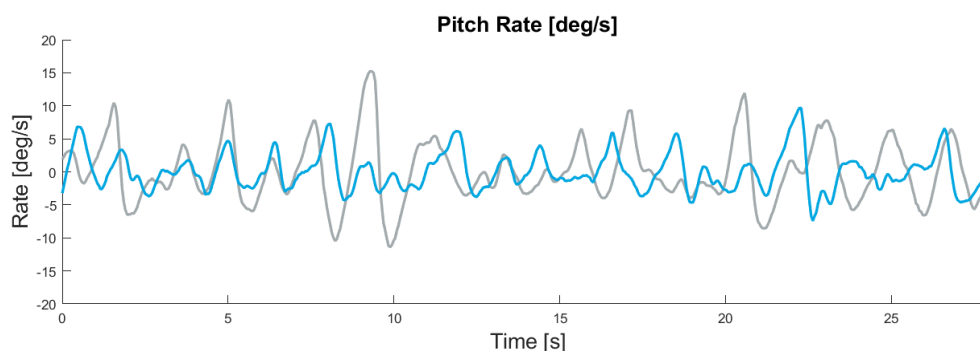
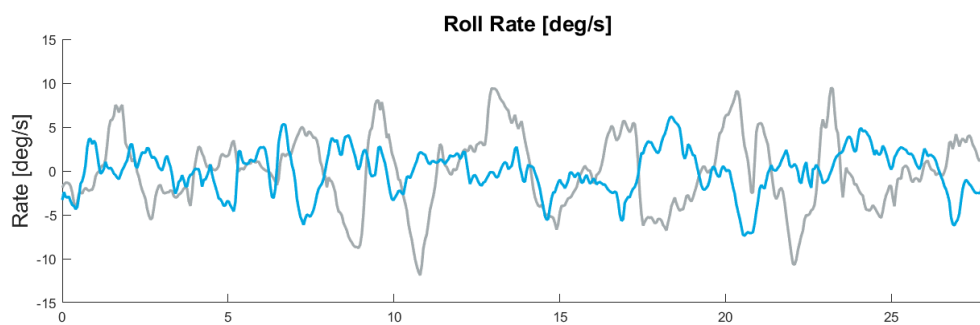
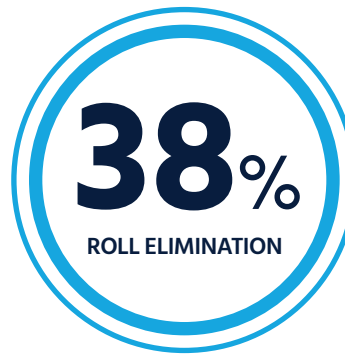


## Vessel Characteristics

<b>Boat Make</b>	Pursuit Boats
<b>Boat Model</b>	S 328
<b>Boat Year</b>	2023
<b>System</b>	Ride 600
<b>Length Overall</b>	34' 6"
<b>Beam Overall</b>	10' 10"
<b>Engine Configuration</b>	2x Yamaha 300hp
<b>Displacement</b>	12,160 lbs

## Test Conditions

<b>Date</b>	April 18, 2023
<b>Location</b>	Fort Pierce, FL
<b>Speed</b>	30 mph
<b>Seas</b>	Bow quartering
<b>Sea Conditions</b>	3-4 ft. at 4 seconds



Performance results are measured with the system on and off as a reduction of standard deviation in pitch and roll rates at all frequencies at a constant heading and speed.

