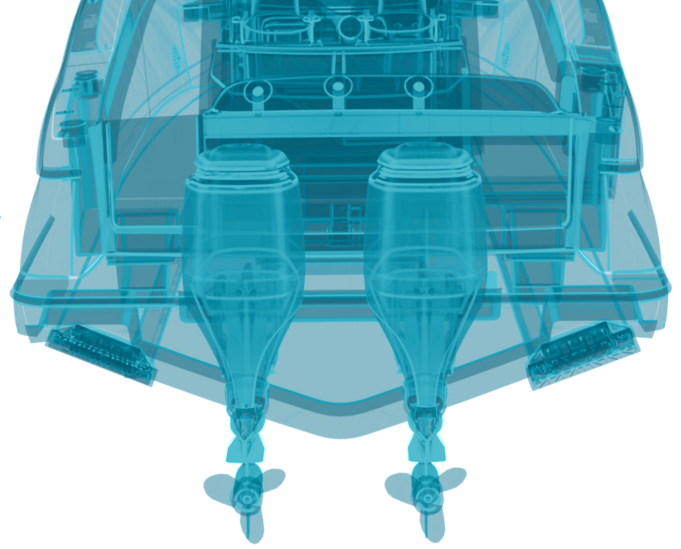


SEAKEEPER RIDE SEA TRIAL REPORT



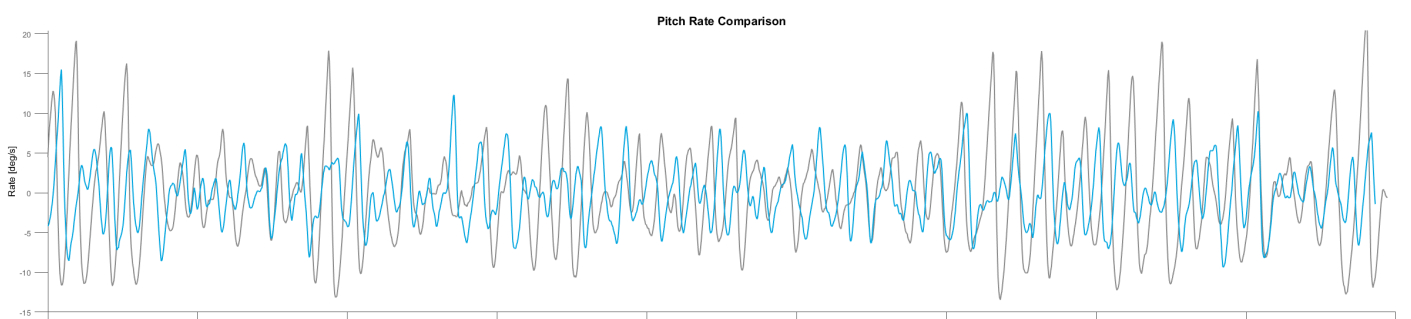
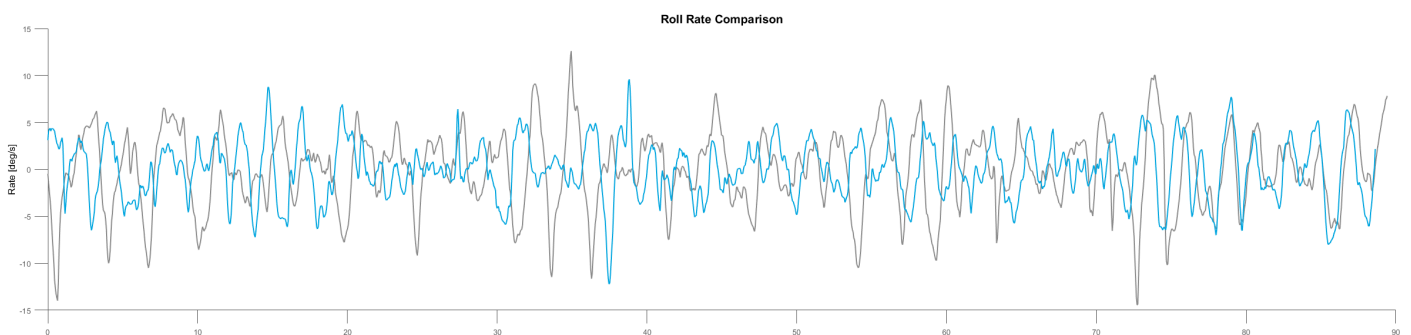
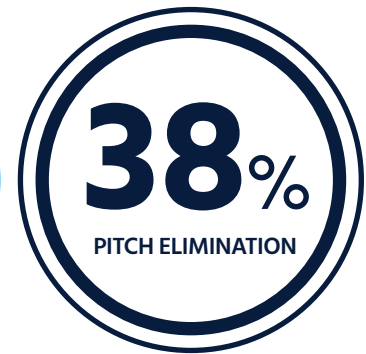
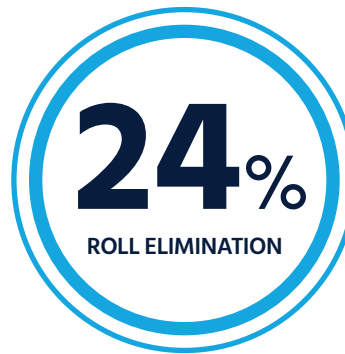
Vessel Characteristics

Boat Make	Contender
Boat Model	39 ST
Boat Year	2023
System	Ride 750 Quad
Length Overall	39 ft
Beam Overall	10 ft. 10 in.
Engine Configuration	3x Mercury 400hp
Displacement	15,400 lbs

Test Conditions

Date	June 18, 2024
Location	Tampa, FL
Speed	30 mph
Seas	Stern quartering
Sea Conditions	3-4 ft. at 3 seconds

Performance Results



Performance results are measured with the system on and off as a reduction of standard deviation in pitch and roll rates at all frequencies at a constant heading and speed.

