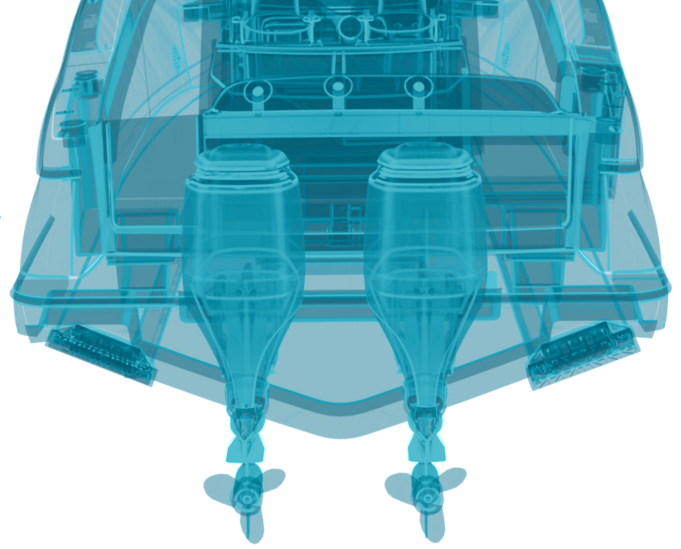


SEAKEEPER RIDE SEA TRIAL REPORT



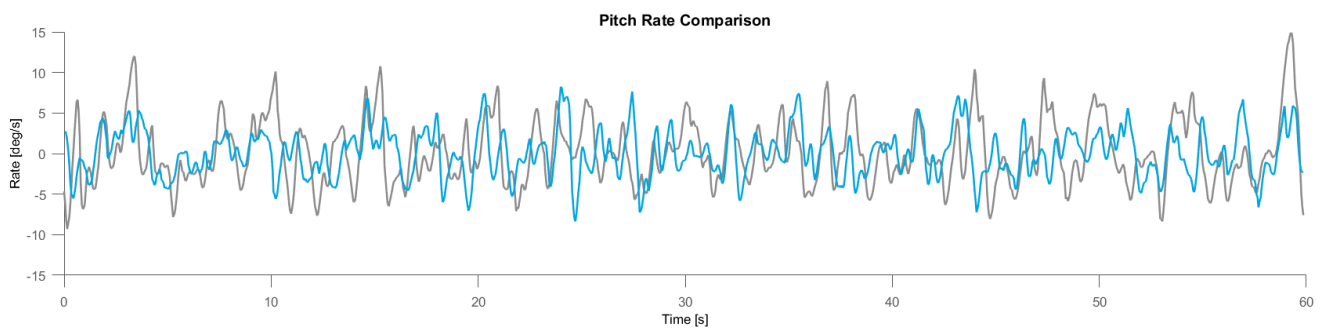
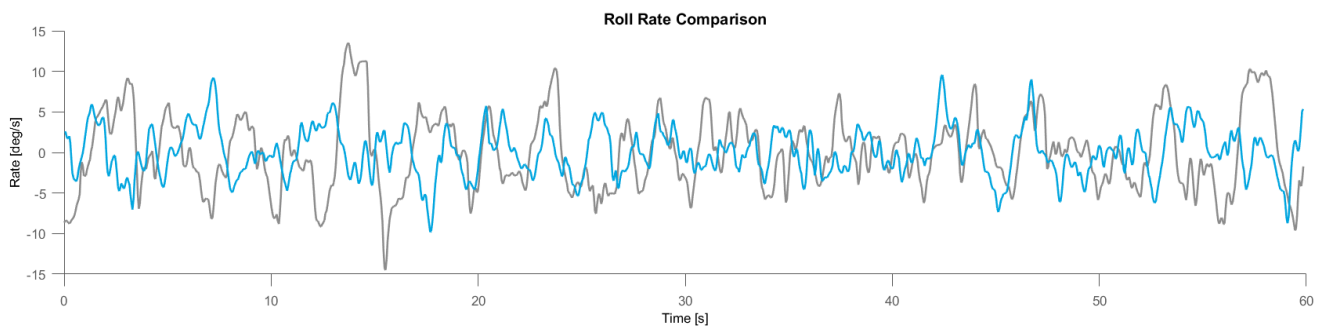
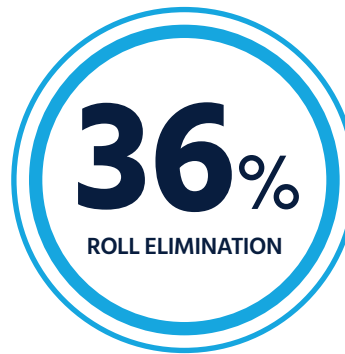
Vessel Characteristics

Boat Make	Phenom Yachts
Boat Model	37
Boat Year	2024
System	Ride 750
Length Overall	37 ft. 6 in.
Beam Overall	11 ft. 2 in.
Engine Configuration	2x Mercury Verado 600hp
Displacement	10,800 lbs

Test Conditions

Date	September 3, 2024
Location	Charleston, SC
Speed	30 mph
Seas	Stern quartering
Sea Conditions	5 ft. at 7 seconds

Performance Results



Performance results are measured with the system on and off as a reduction of standard deviation in pitch and roll rates at all frequencies at a constant heading and speed.

